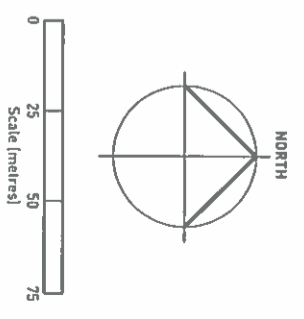


Do not scale from drawings.
All dimensions to be verified on site before proceeding with the work.
Any discrepancies to be notified in writing to Architects immediately.



REVISION HISTORY

REV.	DESCRIPTION	DATE	BY
A	Plan re-scaled to show larger site	23.02.2016	pr

ARCHITECTS / **ADF**

ADF ARCHITECTS 23 Blythwood Square, Glasgow, G2 4BD
T: 0141 226 8010 F: 0141 226 8011 W: www.adf.co.uk

PLANNING

DRAWING LOCATION PLAN
AS EXISTING
PROJECT PROPOSED DRIVE THRU
MILTON LINK, EDINBURGH
CLIENT
Aegon UK Property Fund Ltd.

DATE	DRAWN	SCALE	ORIGINAL
11.02.2016	pr	1:2000	A3
PROJECT NO.	DRAWING NO.	REVISION	
G13086	AL(0)1000	A	

Plot 2302321/1000 - Drive Thru, Milton Link, Edinburgh, Scotland. Location Plan, 01/16
All dimensions to be verified on site before proceeding with the work.
Any discrepancies to be notified in writing to Architects immediately.